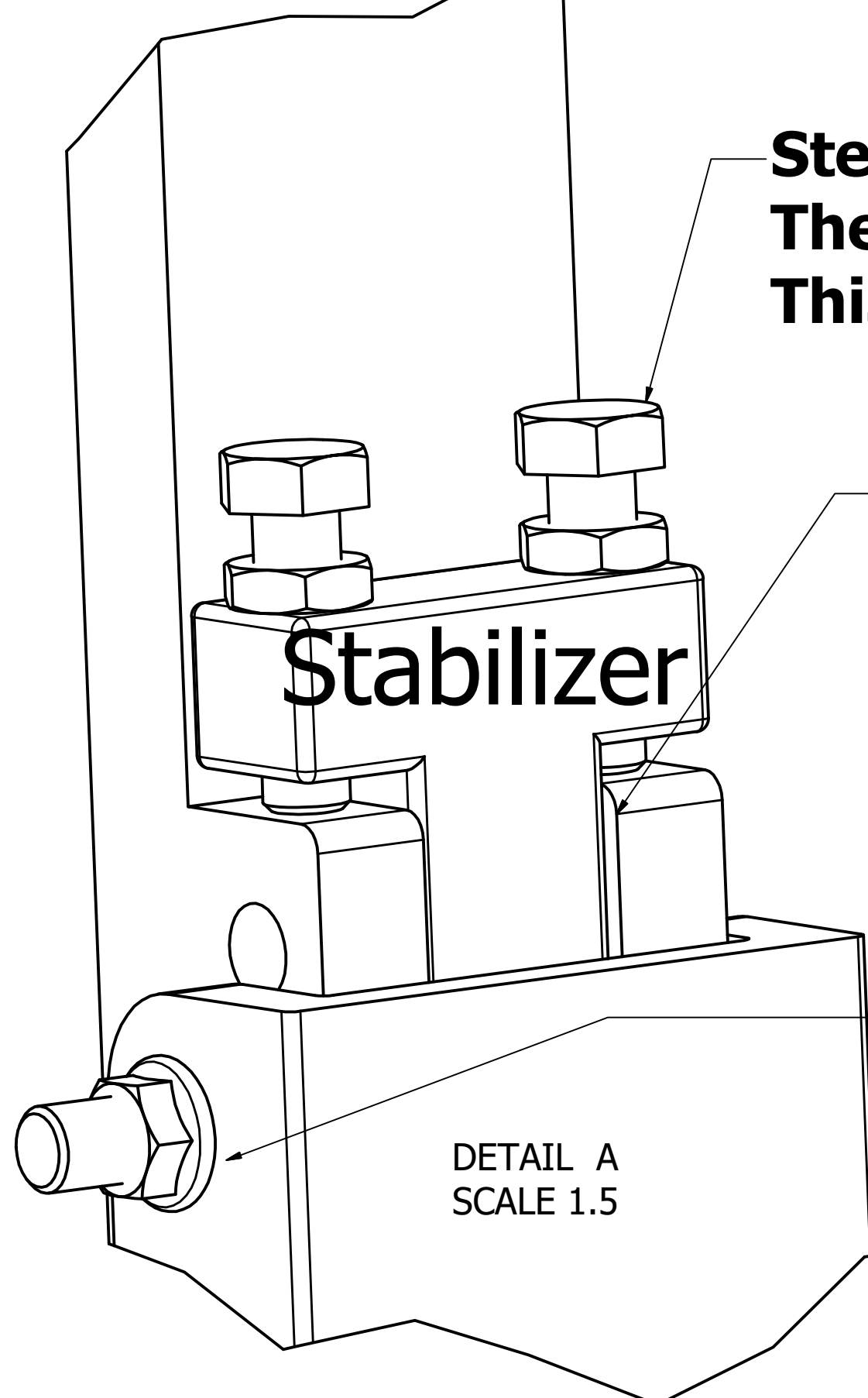


Boot Stabilizer Mounting Instructions

Kit Includes:
 1 Stabilizer
 2 Bolts
 1 Main Bolt

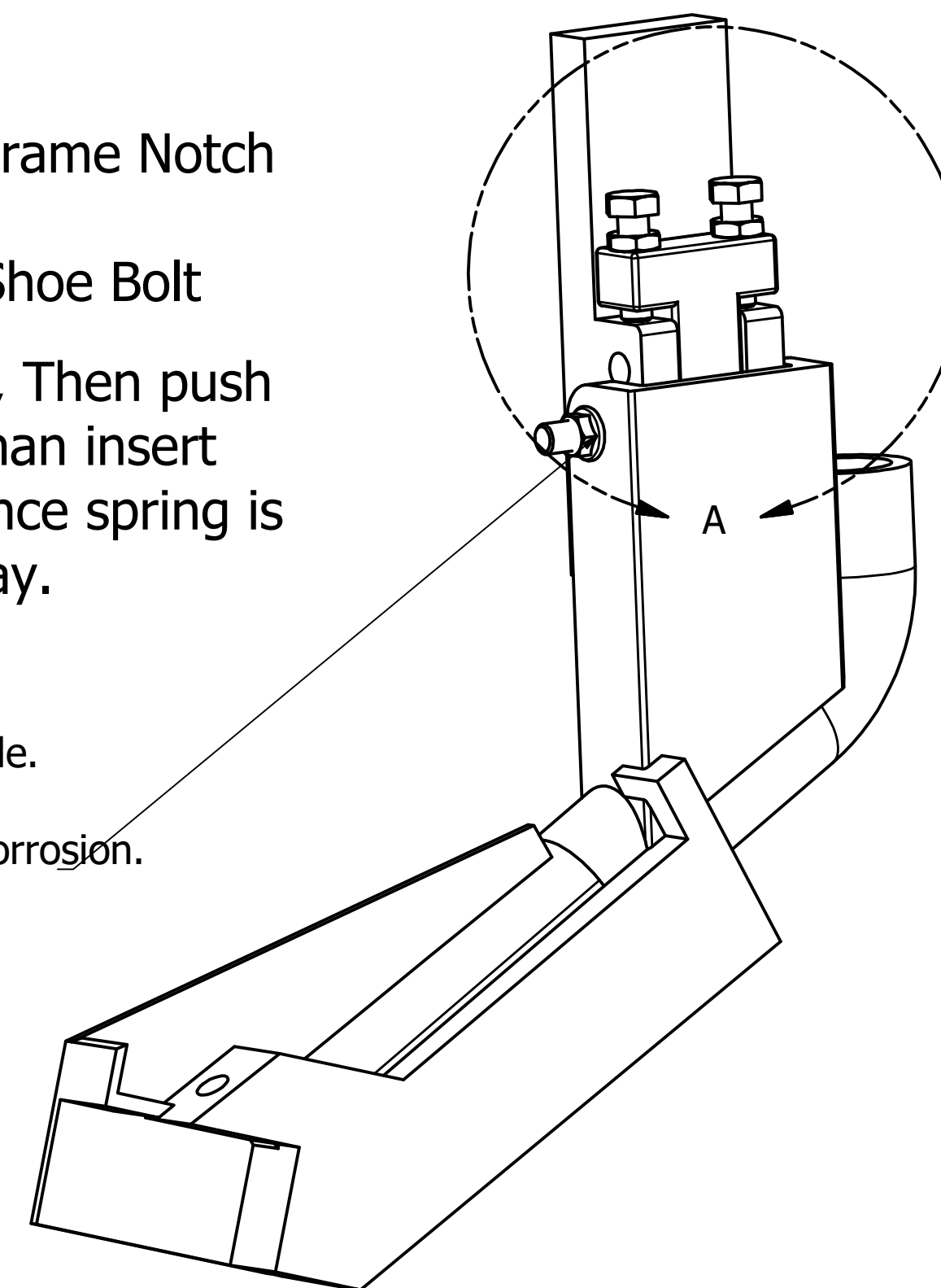


Step 3: (2) Locking Bolts
 These are installed and Tightened last
 This creates a secondary stabilization system.

Step 1: The Stabilizer slips precisely into the Frame Notch Which Creates a new Precise mounting Hole.
Step 2: Then Insert Shoe and Bolt, Tighten Shoe Bolt

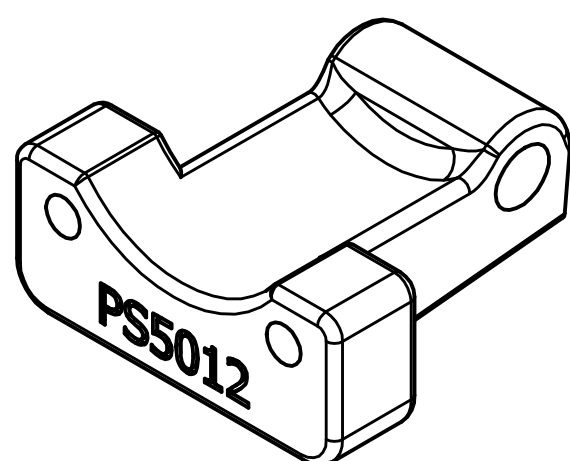
Note: If you Put Boot and Stabilizer in Place, Then push the Main Bolt halfway into the Stabilizer, Than insert Tension Spring (Not Shown In Drawing). Once spring is in place Insert main Mounting bolt all the way.

Do NOT Tighten this nut all the way. If you do It could lock up the seed boot from pivoting side to side. Also would recommend Anti Seize on Shank of bolt where it goes through stabilizer to help prevent rust corrosion.

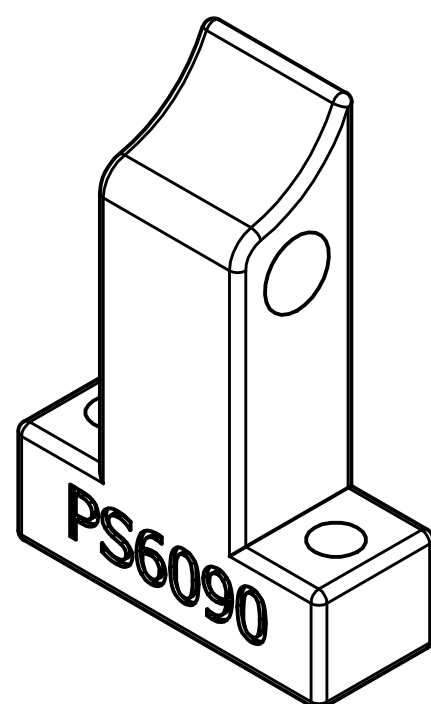


Patent # 9,485,903

50 Series Stabilizer



60-90 Series Stabilizer



For More Installation Info Call:
 (605)491-5390
 Sales@ProStitchAg.com

Be sure to check out our Seed Guide/Firmer for John Deere Drills and Airseeders at ProStitchAg.com

DRAWN Daniel Wipf	1/24/2015	LakeViewMfg	
CHECKED			
QA		TITLE	
MFG		ProStitchAg.com	
APPROVED			
		SIZE C	DWG NO Boot Stabilizer Instructions
		SCALE	REV
			SHEET 1 OF 1