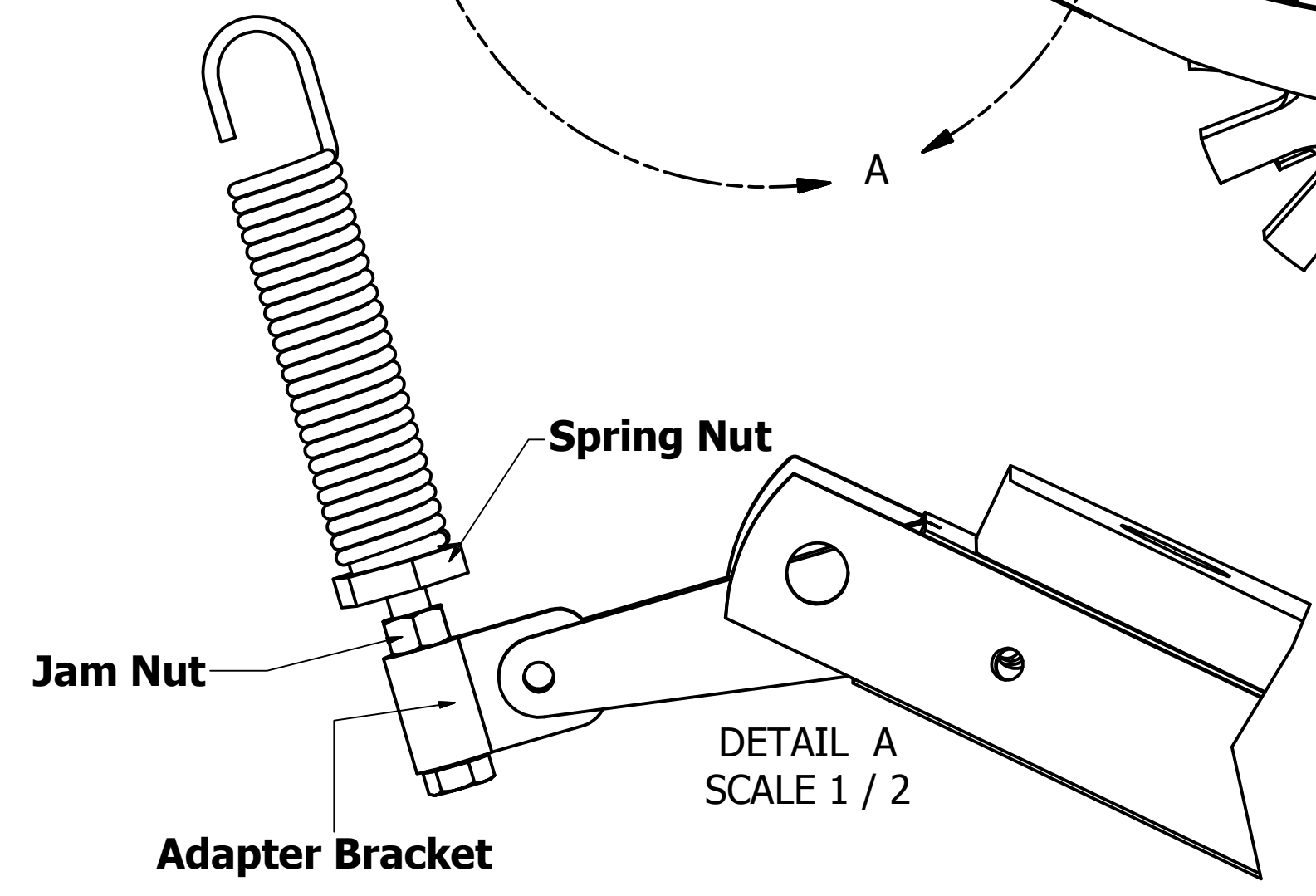
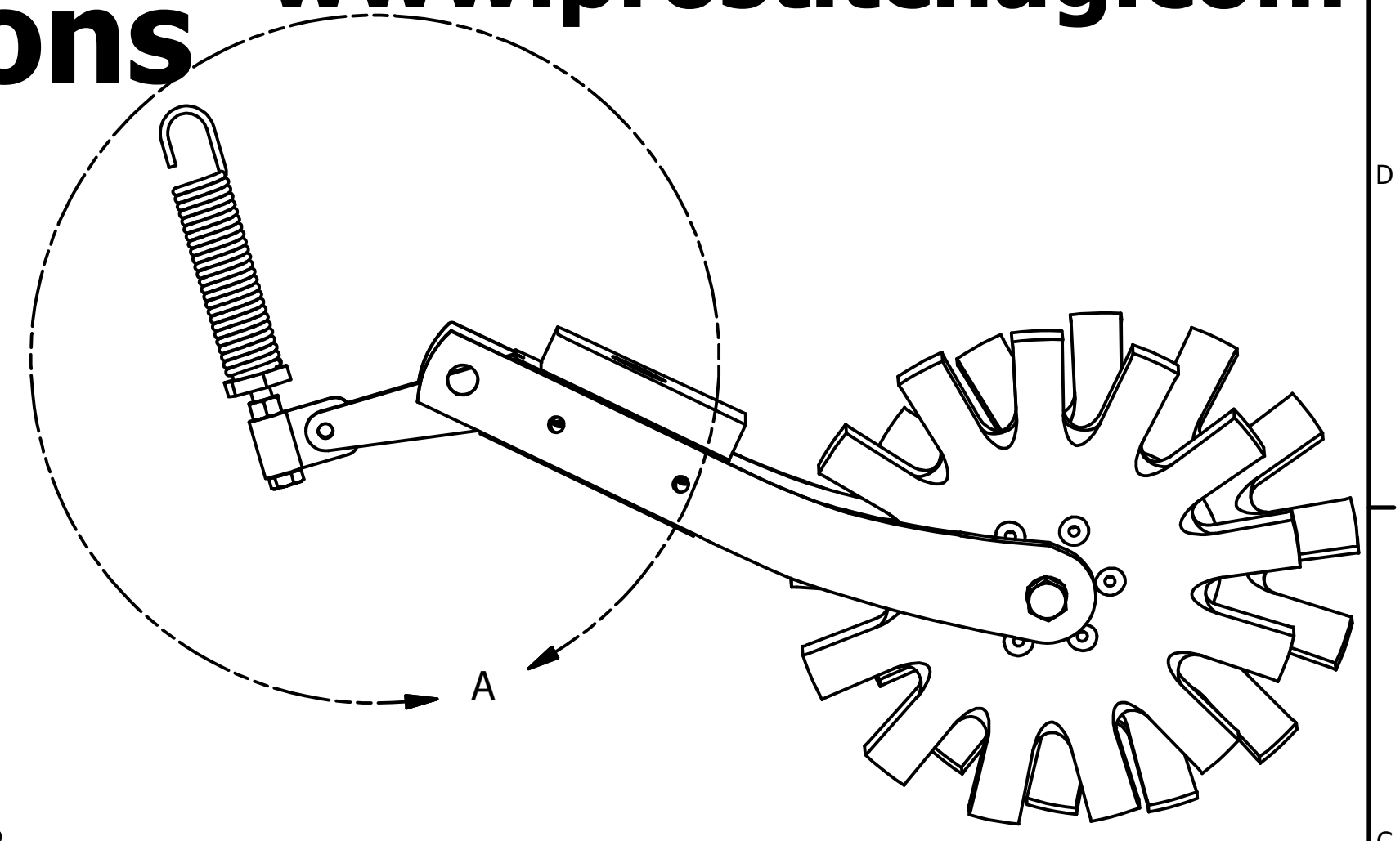


# Case IH Assembly Instrucions

Step 1: Remove the Closing wheel, Arms, Closing Discs & closing discs attachment.

Step 2: Install new arms & Pro-Stitch closing wheels as shown below. **Notice: Leave bolts loose till fully assembled.**

Step 3: Cut off the last 3 rounds of the spring & Bottom loop as Shown in Diagram A . Next screw on the spring nut & adapter bracket as shown. **This will now become your downpressure adjustment!**

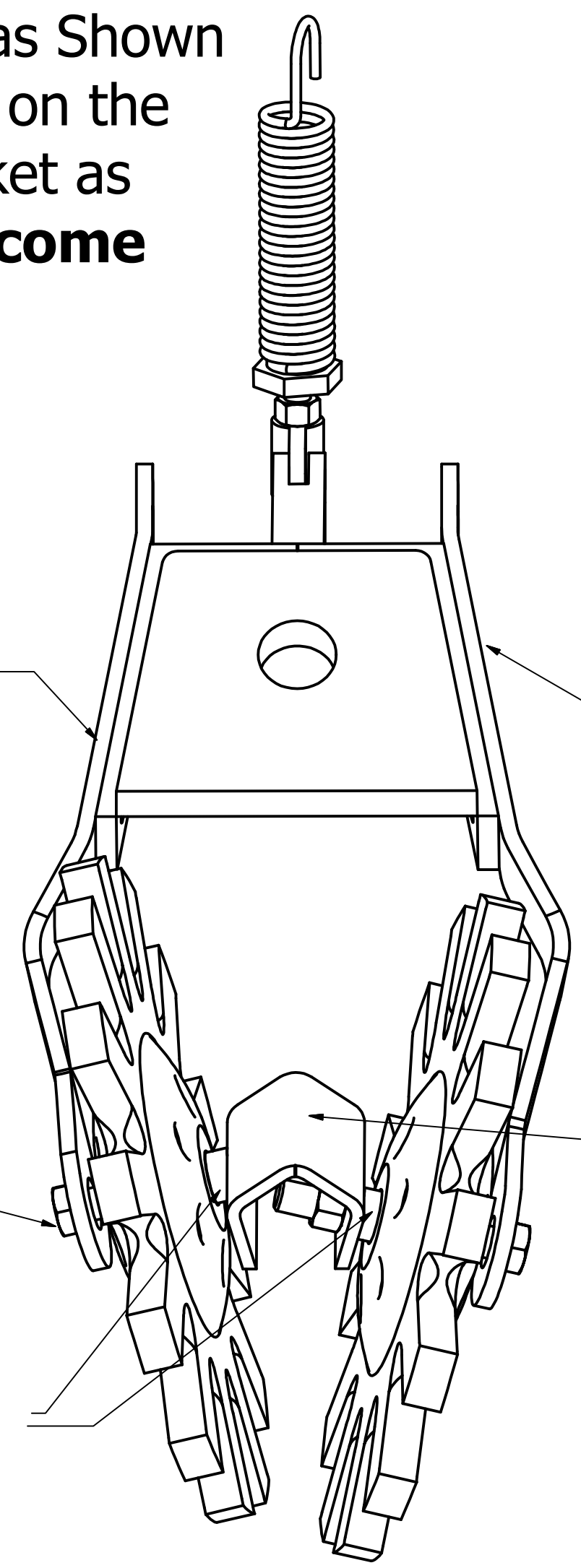


**Short Arm -  
Left Side**

**Long Arm-  
Right Side**

**5/8" X 4" Bolt**

**9/16" Bushing**



**Center Mount**

Also Available For:  
**JOHN DEERE  
KINZE  
WHITE**

DRAWN Daniel Wipf	2/3/2012	<b>Thanks For Choosing</b> <b>PRO-STITCH</b> <b>Closing Wheels</b>	
CHECKED			
QA			
MFG			
APPROVED		SIZE C	DWG NO IH Assembly Arms Instructions
		SCALE	SHEET 1 OF 1